



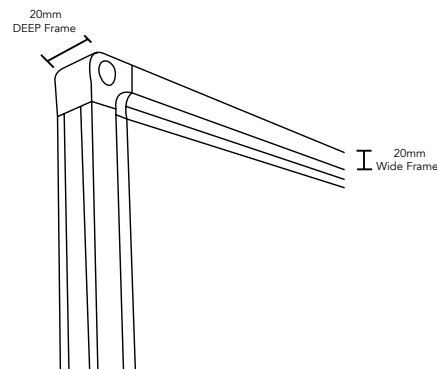
whiteboards
and pinboards

Autex Vertiface Framed Pinboard

The Autex Vertiface Framed Pinboard is a low maintenance and highly durable pinboard for the office or classroom. The board is 100% recyclable due to the polyester surface, which is easily pinnable and accepts Velcro – making it ideal for learning environments. The aluminium frame with concealed corner fixings provides a clean look, while the unique mounting design makes it easy to install the board in either portrait or landscape. 40 colours and a range of sizes, including custom, are available so you can create the perfect pinboard to suit your space.

FEATURES

- 100% polyester material
- Pinnable and accepts Velcro
- Aluminium frame
- Concealed corner fixings
- Easily mount in portrait or landscape
- 40 colour options
- Custom sizing available
- 100% recyclable
- 12 month warranty



DIMENSIONS

900 x 600 | 900 x 900 | 1200 x 900 | 1200 x 1200 | 1500 x 900 | 1500 x 1200 | 1800 x 900
1800 x 1200 | 2000 x 1200 | 2100 x 1200 | 2400 x 1200

For Orders Please Contact
PHONE : 1300 849 152

EMAIL: sales@whiteboardsandpinboards.com.au