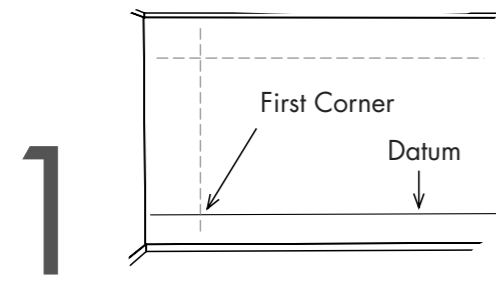


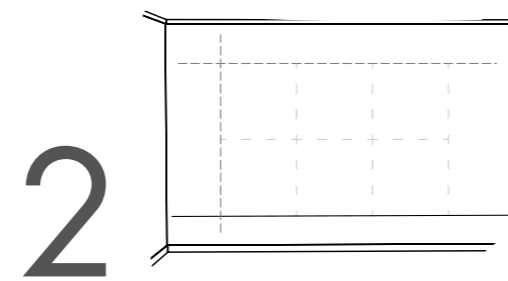
To complete the installation of Quietspace® 3D Tile you will need: A chalk line & tape measure.



Quietspace® 3D Tile S-5.26, S-5.34, S-5.37 and S-5.53 measure 575mm x 575mm.

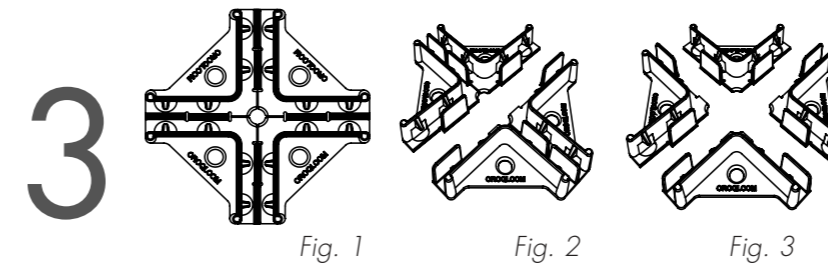
Measure your space and work out where you would like your 3D Tiles mounted as an area divisible by 575mm.

In most situations it is best to measure up from the floor and mark a straight line using a chalk line along the bottom of the area, this line is your Datum. On the Datum chalk your first corner at 90°.



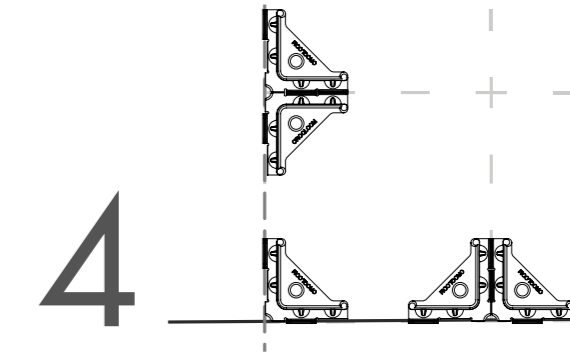
From your first corner mark, measure out centres of 575mm both horizontally and vertically.

Use these markings to chalk line the grid in which the tiles will sit.



Clip Preparation

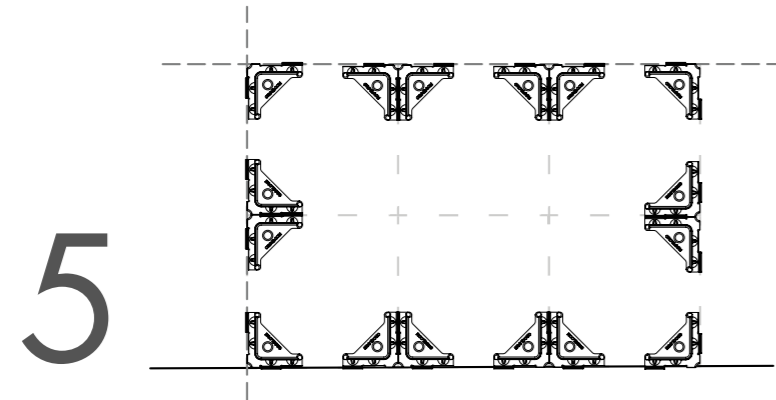
- For every junction of four tiles designate a whole 3D Tile Clip (Fig. 1)
- For every join of two tiles along an edge, break the 3D Tile Clip in half (Fig. 2)
- For the four outer edge corners, break the 3D Tile Clip into quarters (Fig. 3)



Quick Clip drawings not to scale

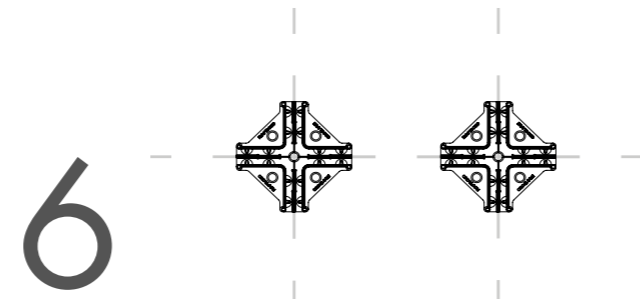
Using fixings suitable for your substrate, fix the first corner in place using the 3D Tile Clip shown in Step 3 (Fig. 3). Always use a mechanical means of fixing, an 8g screw is recommended.

Methodically work around the perimeter using the 3D Tile Clip shown in Step 3 (Fig. 2) fixing at 575mm centres. Once you have reached the top of your grid use the same shape clip as the first corner rotated clockwise by 90°.



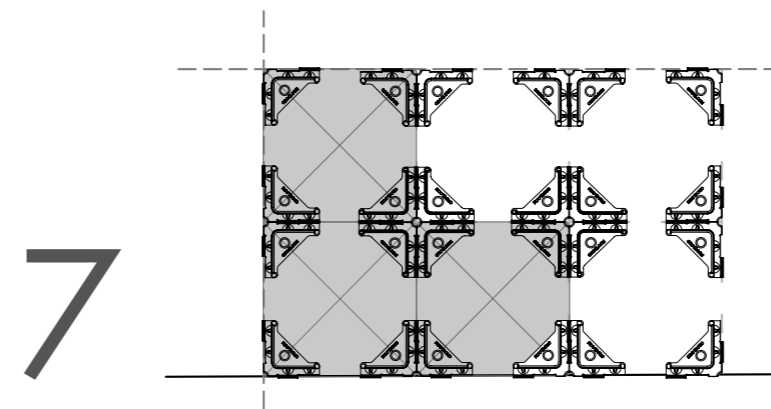
Complete perimeter of grid (at the 575mm centres) using (Fig. 2) for edges and (Fig. 3) for corners.

Continuously check your spacing is square and be sure the distance between centres is consistently 575mm



Fix the clips shown in Step 3 (Fig 1.) at the cross points of the remaining horizontal and vertical chalk lines.

The centre of the clips must match up with the centre point of the chalk lines.



Start placing the Quietspace® 3D Tiles into the 3D Tile Clips starting from the bottom left hand corner, working upwards and then across left to right.

Continue until all clips are completely covered.

**Quietspace®**  
 3D Tile