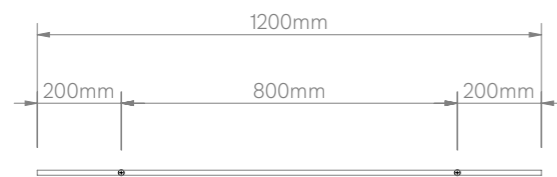
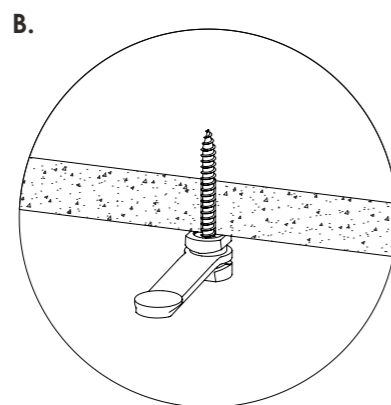
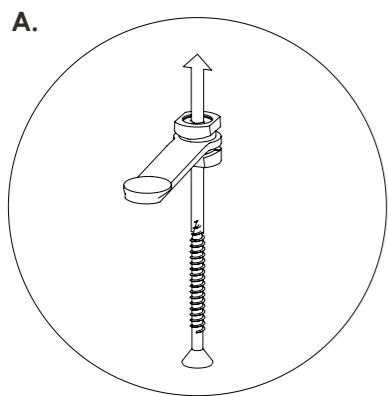


Before work commences, please ensure you take the time to plan out your Cascade install, plan out your fixing points and the spacings of the screens.

- 1.** Mark out fixing points as shown for each screen.



- 2.** A. Preset suitable 6-8g screw (not supplied) into Autex Mounting Clips x2 (RAFTCC)
B. Screw into ceiling at marked fixing points



- 3.** Press extrusion firmly onto the top of the screen, ensuring it is seated fully.

For extra grip, gently squeeze the channel that is holding the screen along its length.

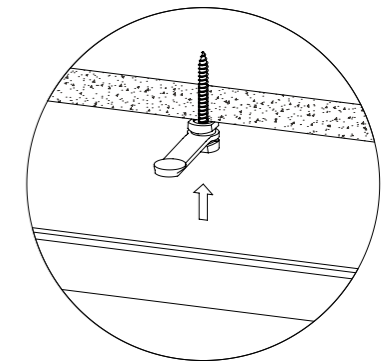
If the screen is to be fixed at the base, repeat as per the top with additional direct fix or suspension kit.



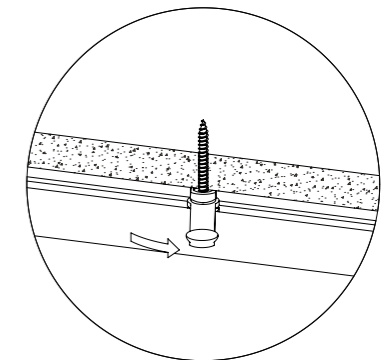
Fixing at both ends requires additional components to the standard pack

- 4.** Offer up the screen to the installed Autex mounting clips.

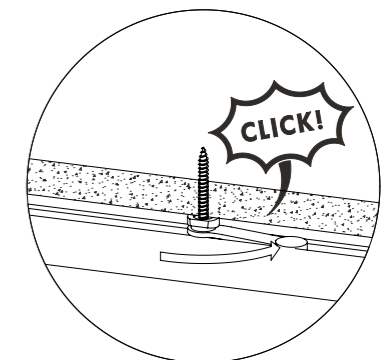
Make sure they are perpendicular to the screen and press channel onto the clips.



- 5.** Twisting the mounting clip handle slightly will hold the screen in place while allowing fine adjustment of the screen left or right.



- 6.** Twist the mounting clip until the handle clicks into the channel to lock the screen in position.

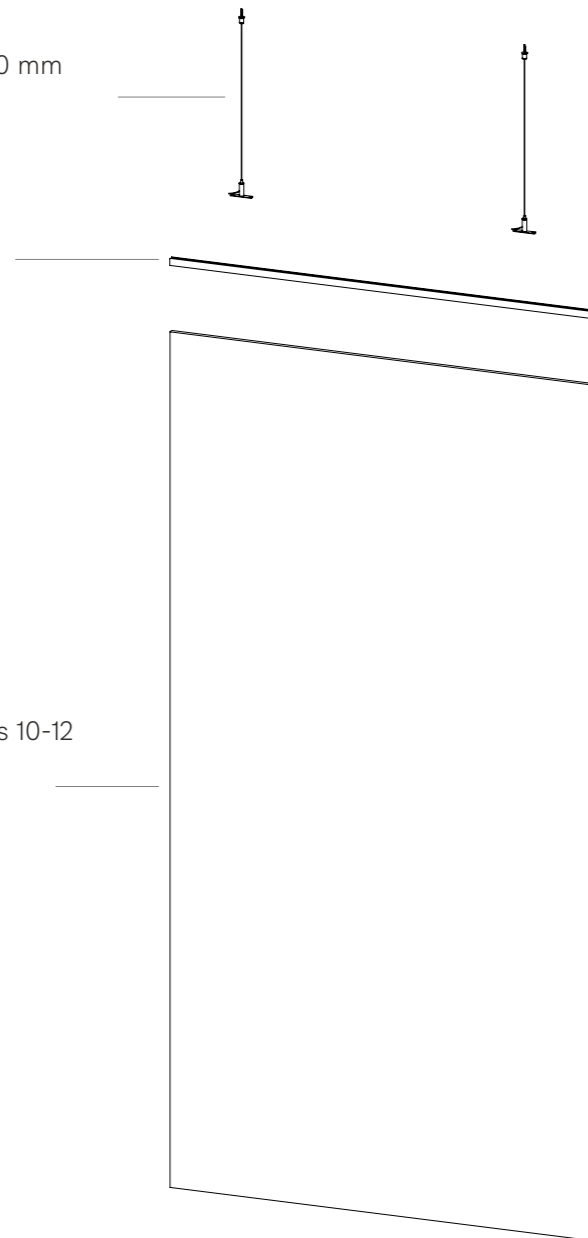


EXPLODED VIEW

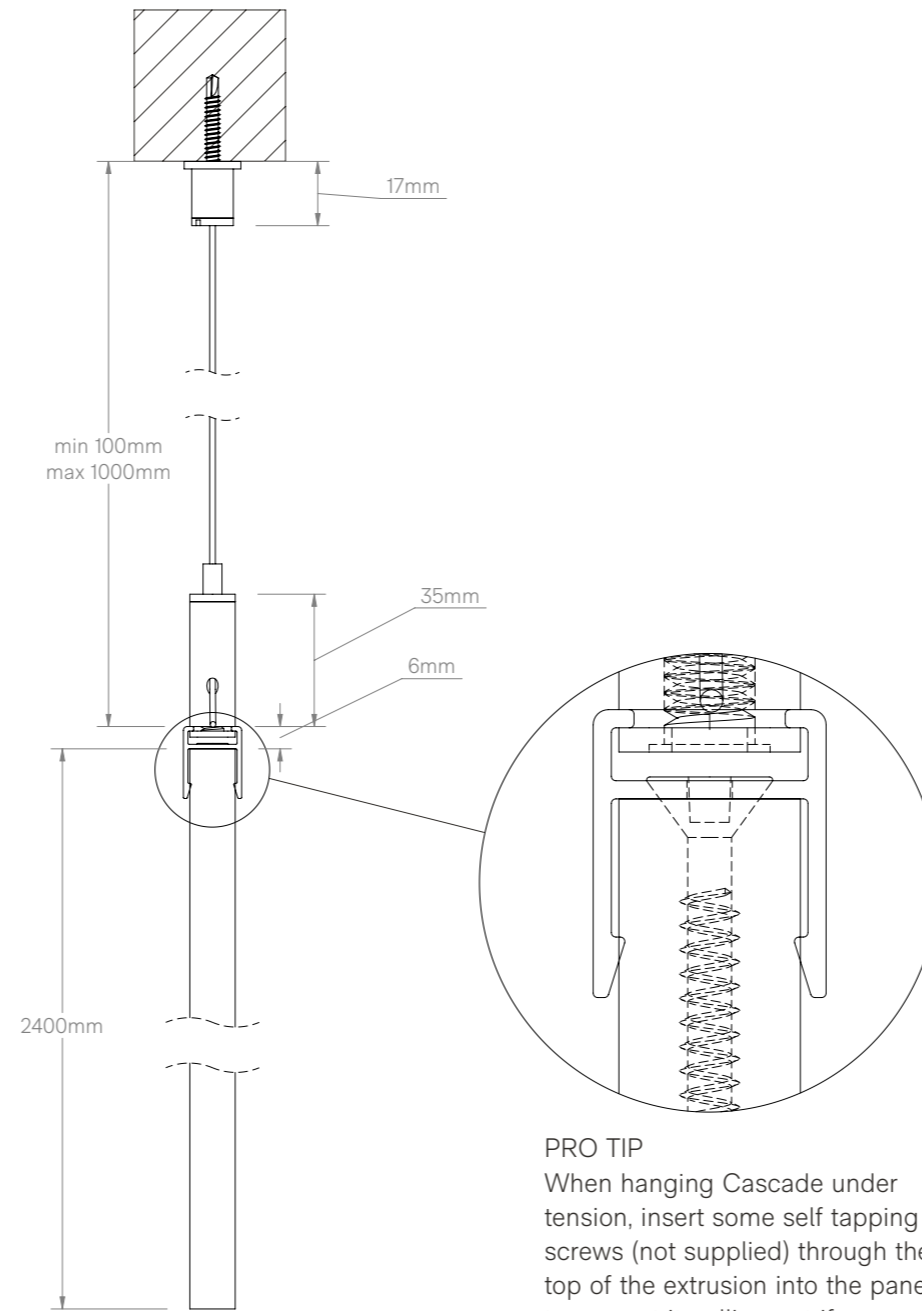
RAHVAS
Autex Adjustable
Suspension Set 1000 mm
cable.

RAFNEX
1200 mm Frontier
12 mm Extrusion

CASCADE PANEL
Static/Folding/
Expanding options
available. See Pages 10-12
for more detail



CROSS SECTION



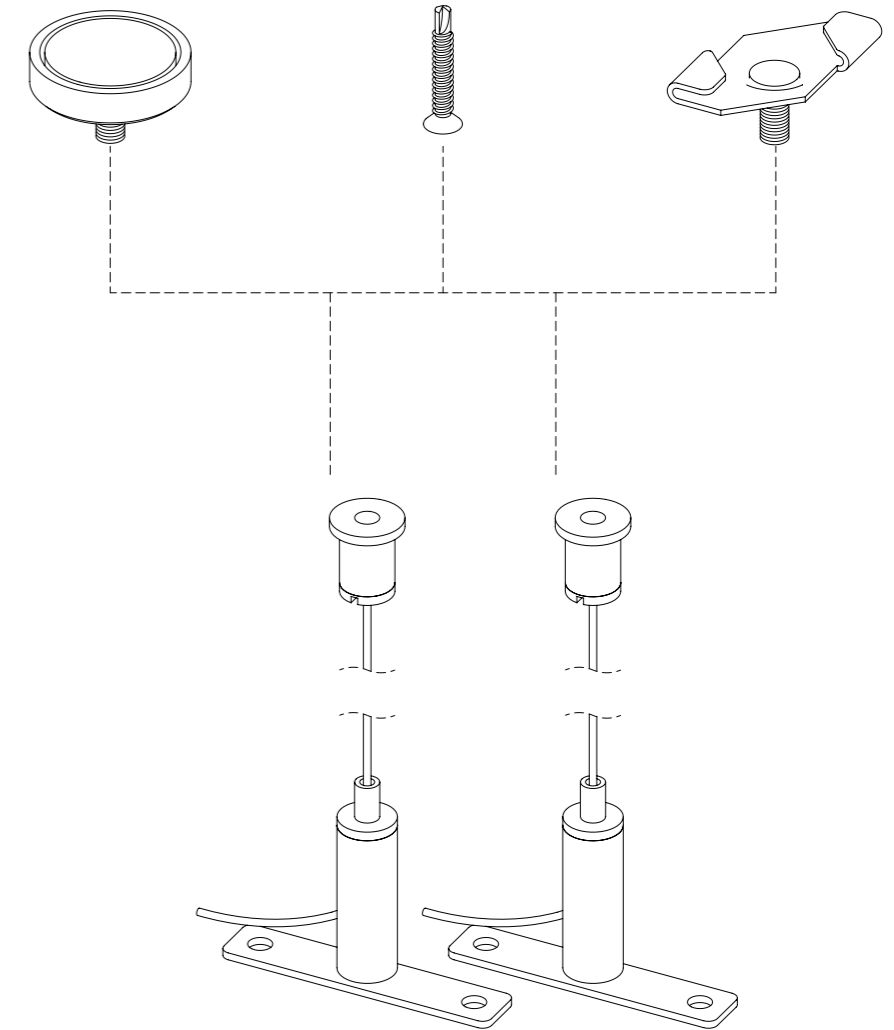
PRO TIP
When hanging Cascade under tension, insert some self tapping screws (not supplied) through the top of the extrusion into the panel to prevent it pulling out if over tightened.

SUSPENSION OPTIONS

RAFM6MP
Magnet Pot with M6
Thread
(Optional)

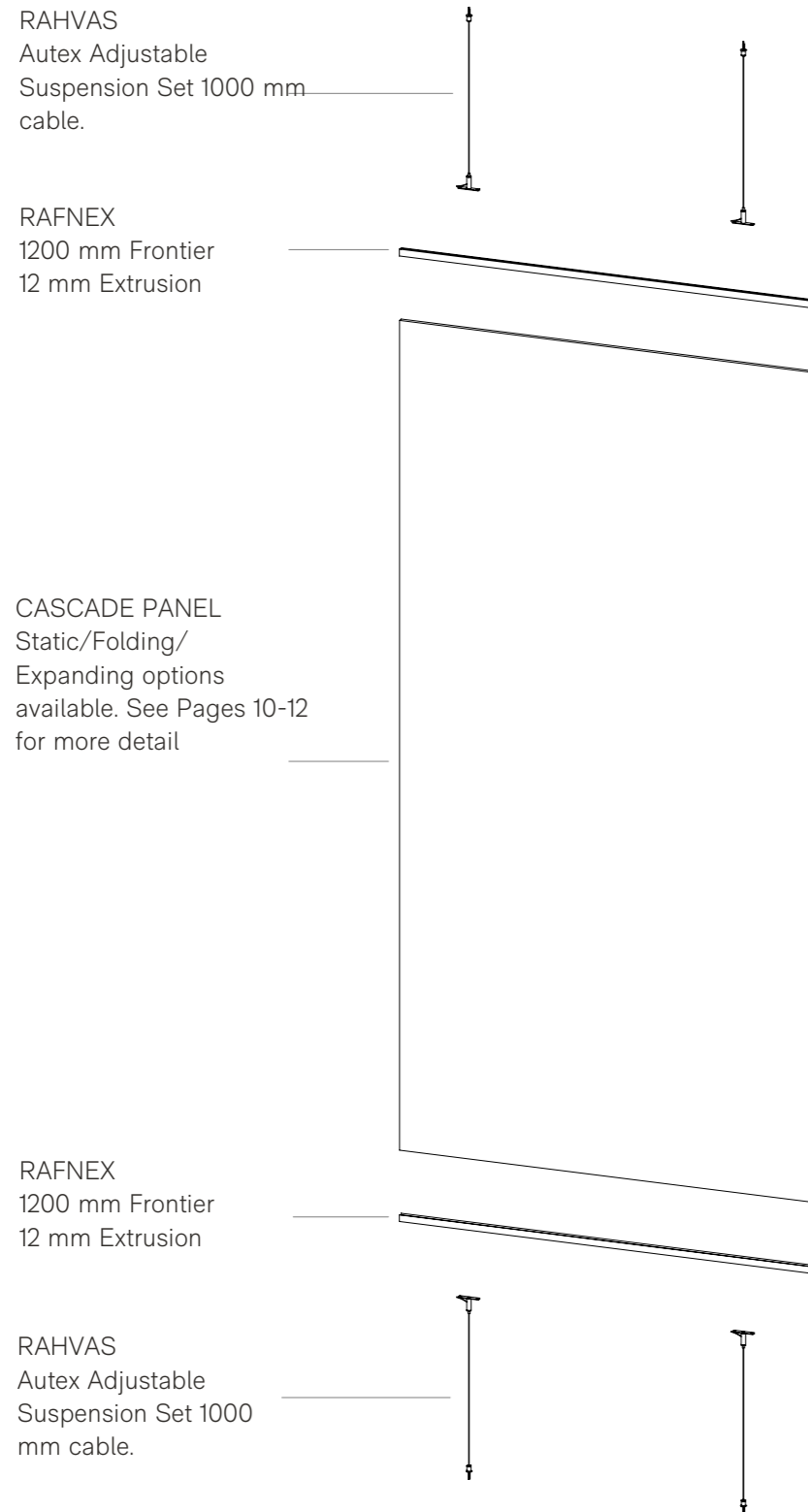
Screw suitable for
substrate
(Not Supplied - By
Others)

RAFM6GC
24 mm Ceiling Grid
Connector with M6
Thread
(Optional)

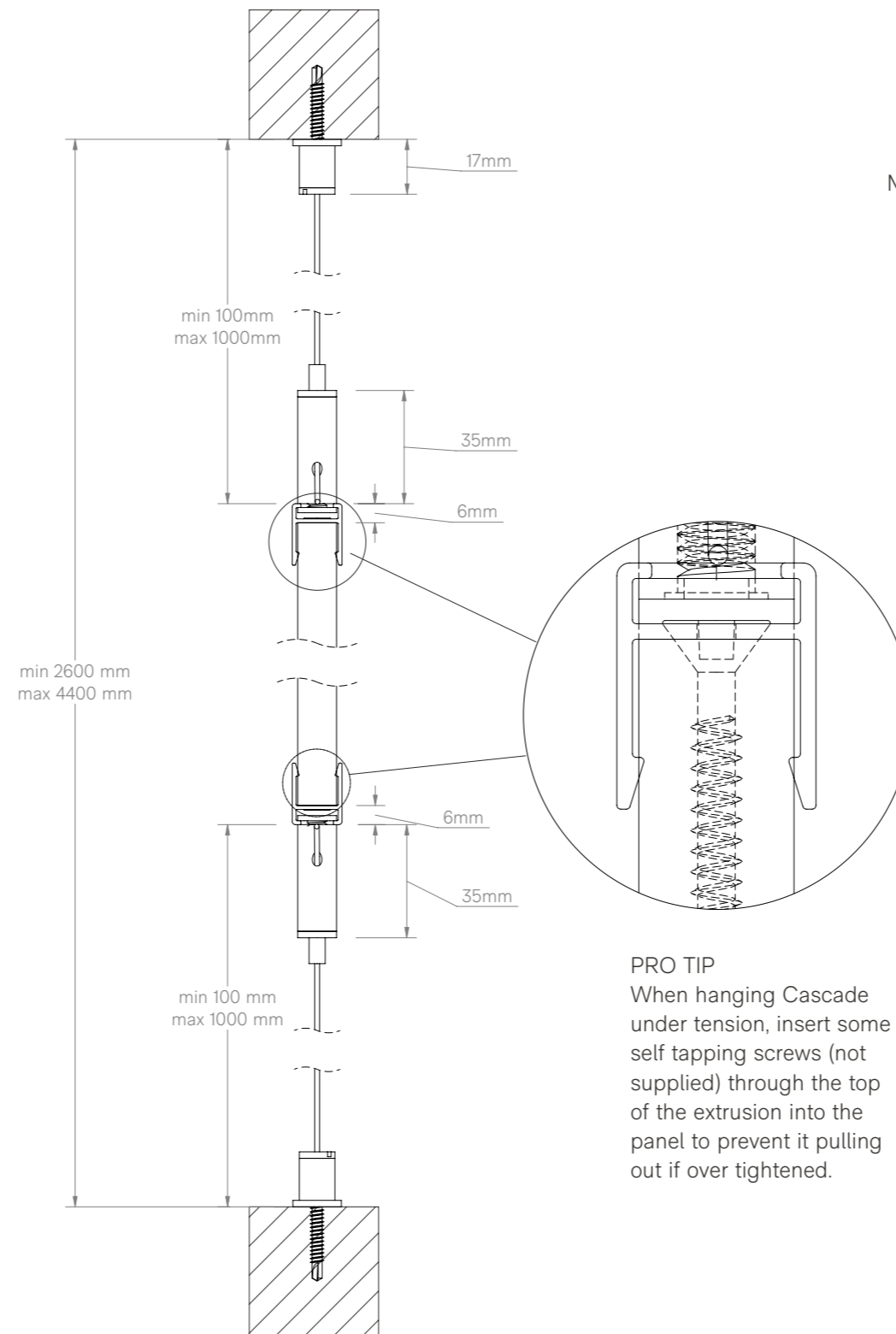


RAHVAS
Autex Adjustable
Suspension Set 1000 mm cable
Channel Connection

EXPLODED VIEW



CROSS SECTION

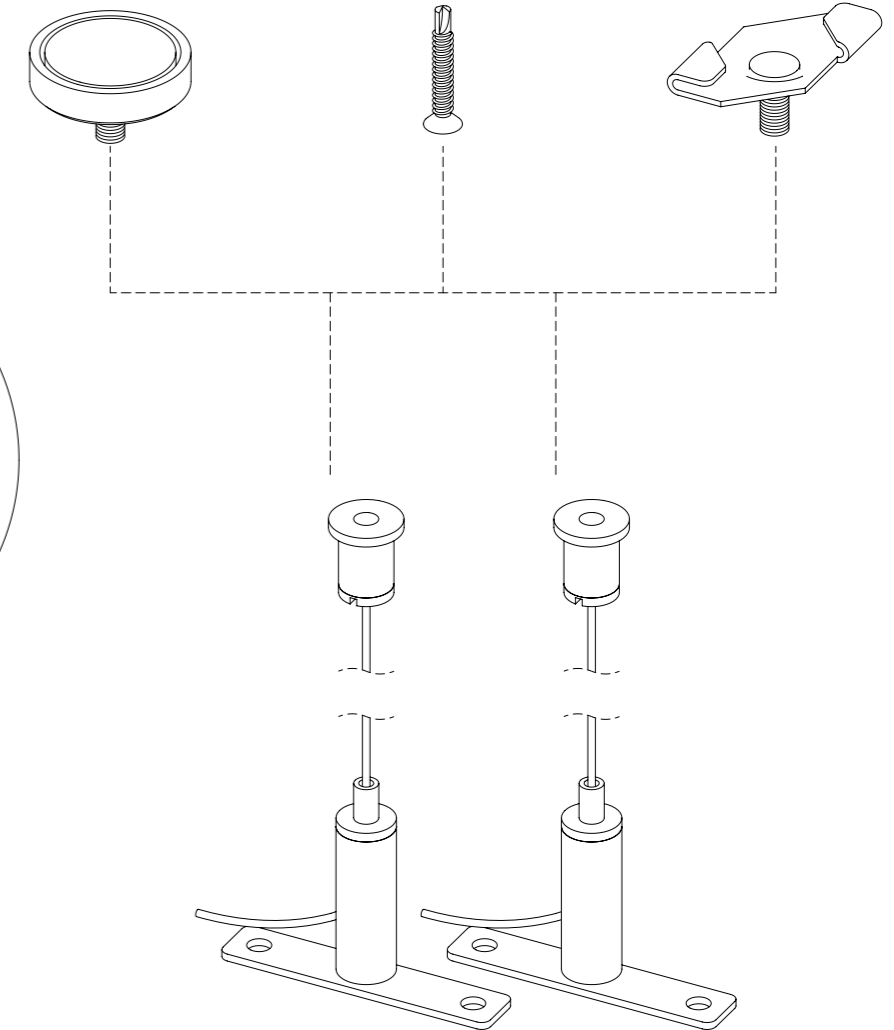


SUSPENSION OPTIONS

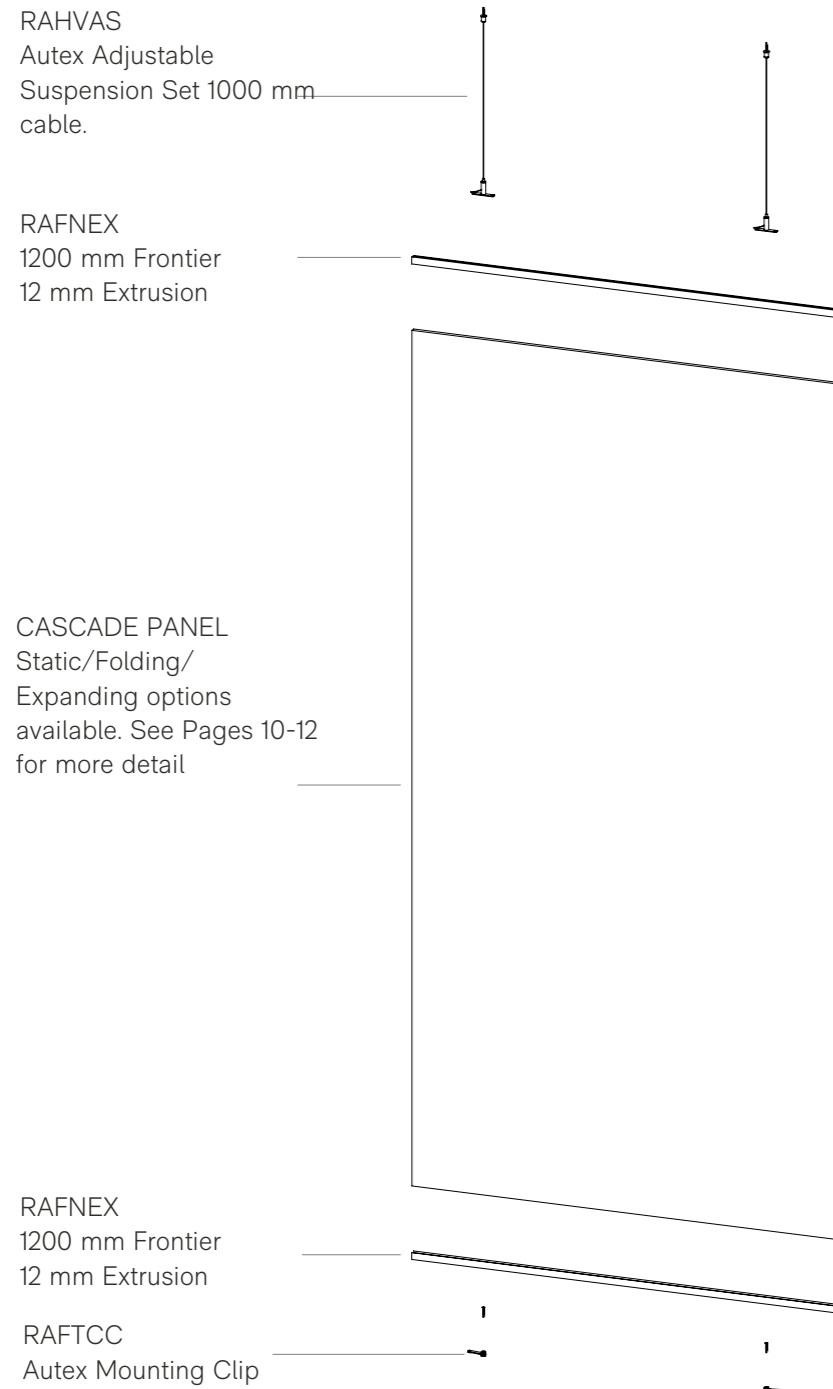
RAFM6MP
Magnet Pot with M6
Thread
(Optional)

Screw suitable for
substrate
(Not Supplied - By
Others)

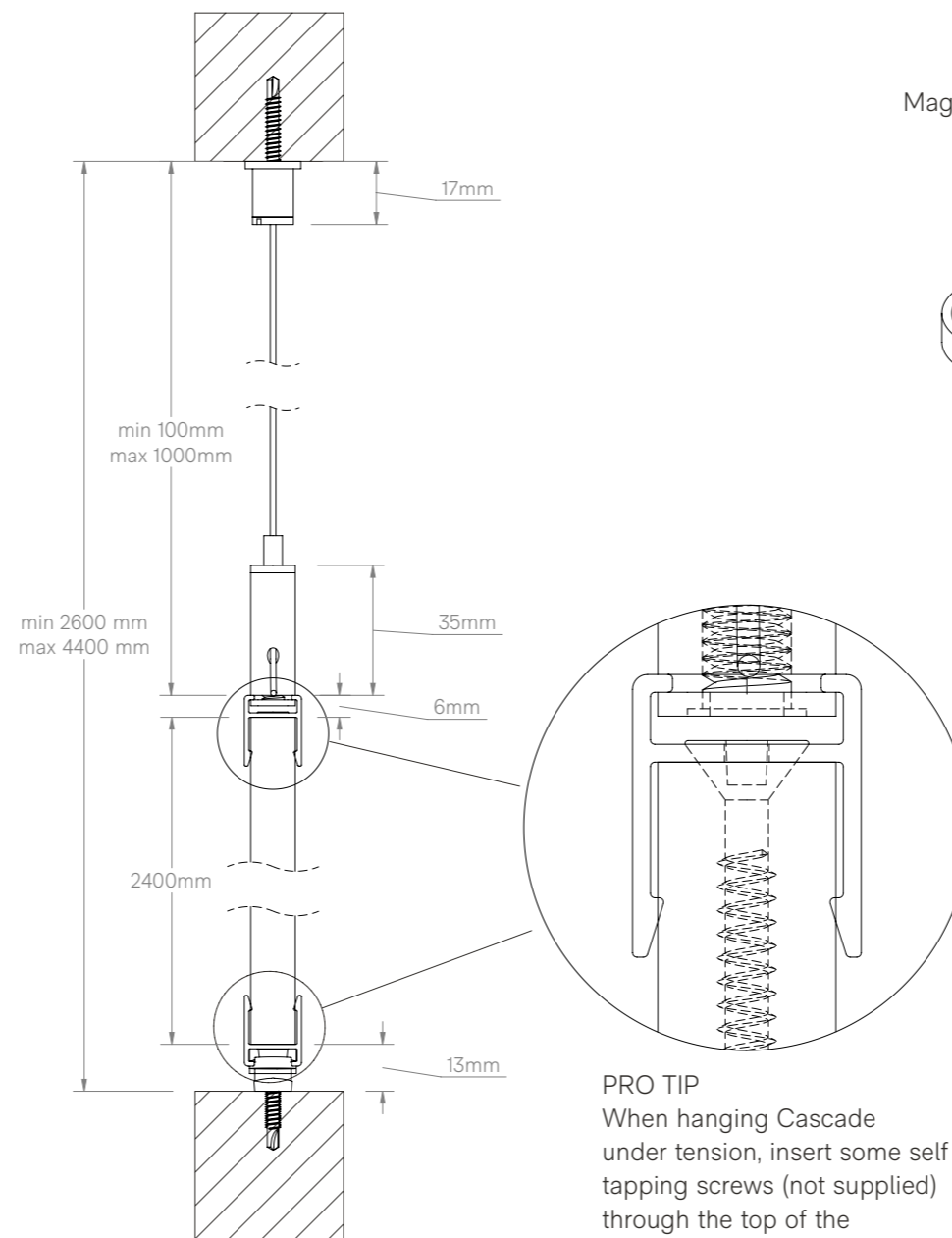
RAFM6GC
24 mm Ceiling Grid
Connector with M6
Thread
(Optional)



EXPLODED VIEW



CROSS SECTION



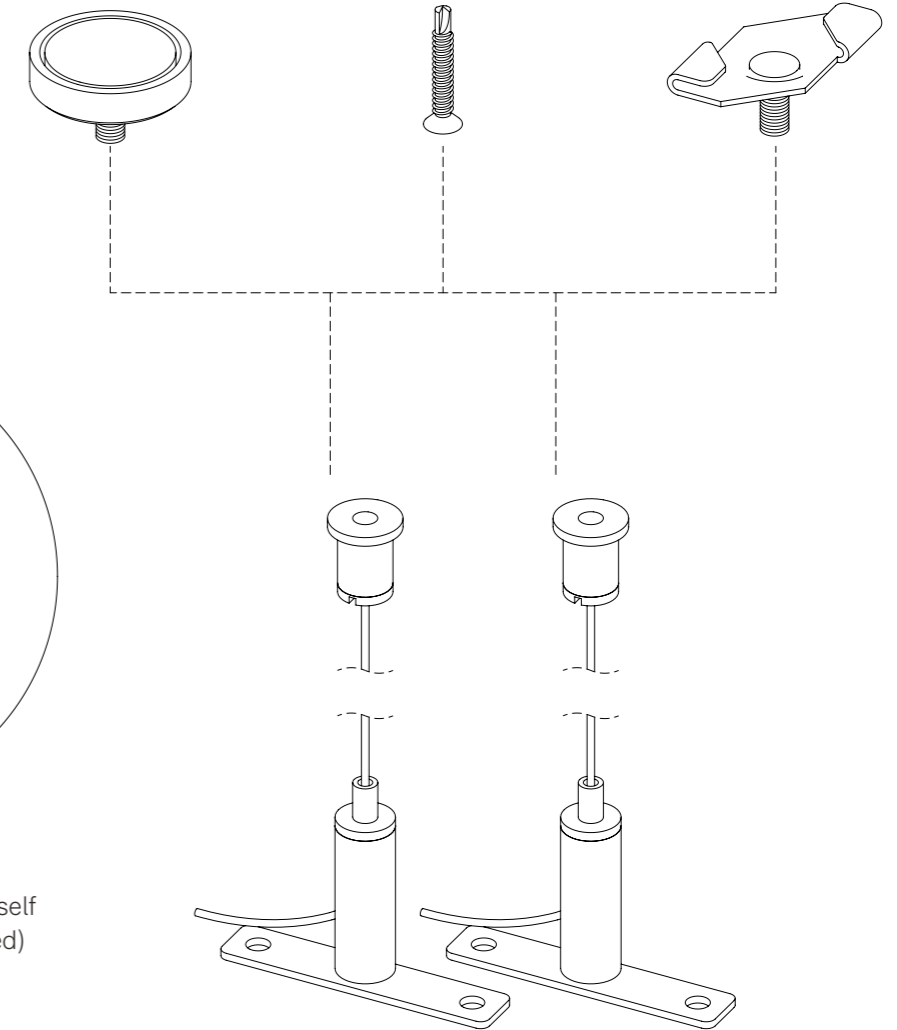
PRO TIP
When hanging Cascade
under tension, insert some self
tapping screws (not supplied)
through the top of the
extrusion into the panel to
prevent it pulling out if over
tightened.

SUSPENSION OPTIONS

RAF6MP
Magnet Pot with M6
Thread
(Optional)

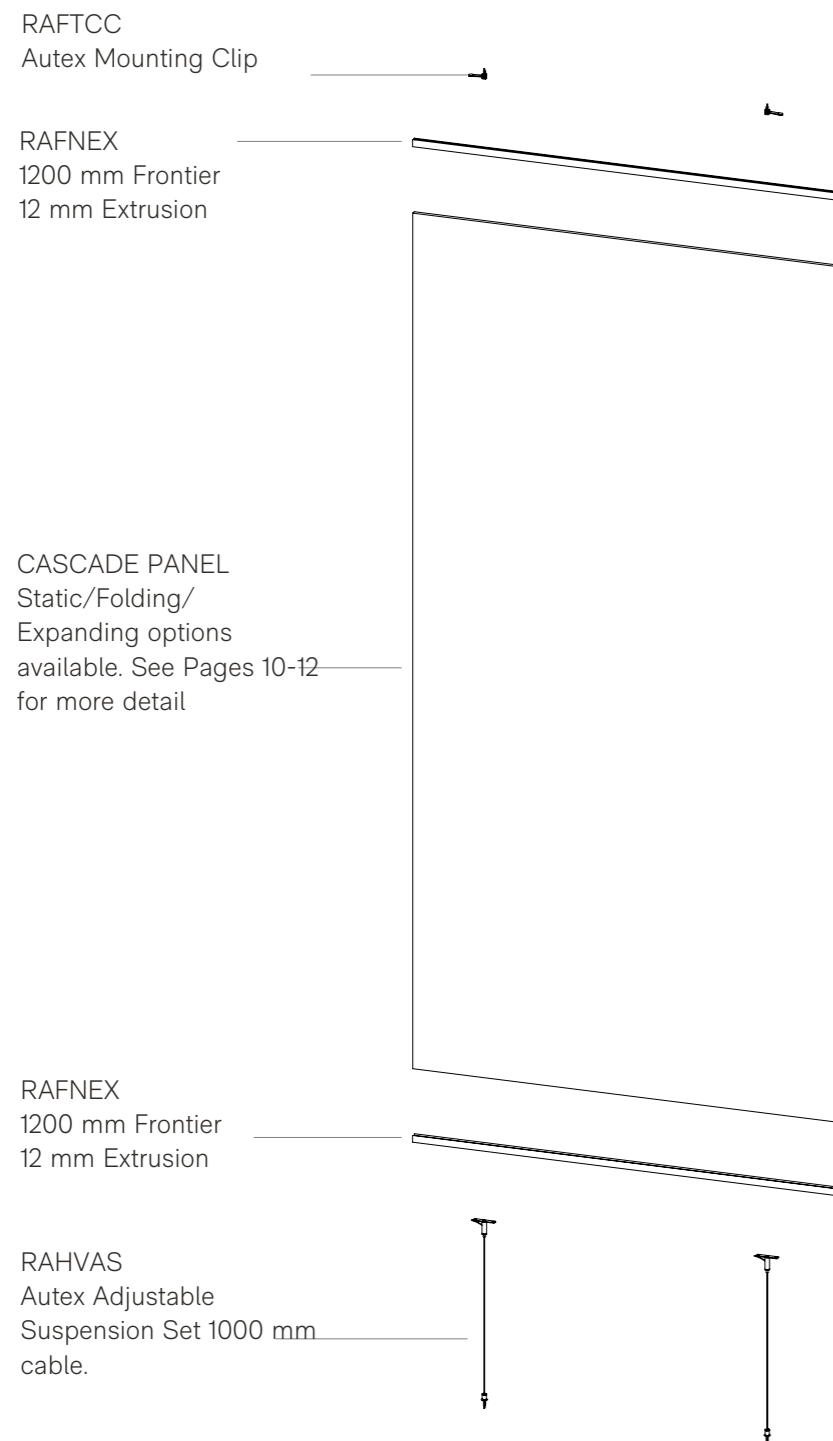
Screw suitable for
substrate
(Not Supplied - By
Others)

RAF6GC
24 mm Ceiling Grid
Connector with M6
Thread
(Optional)

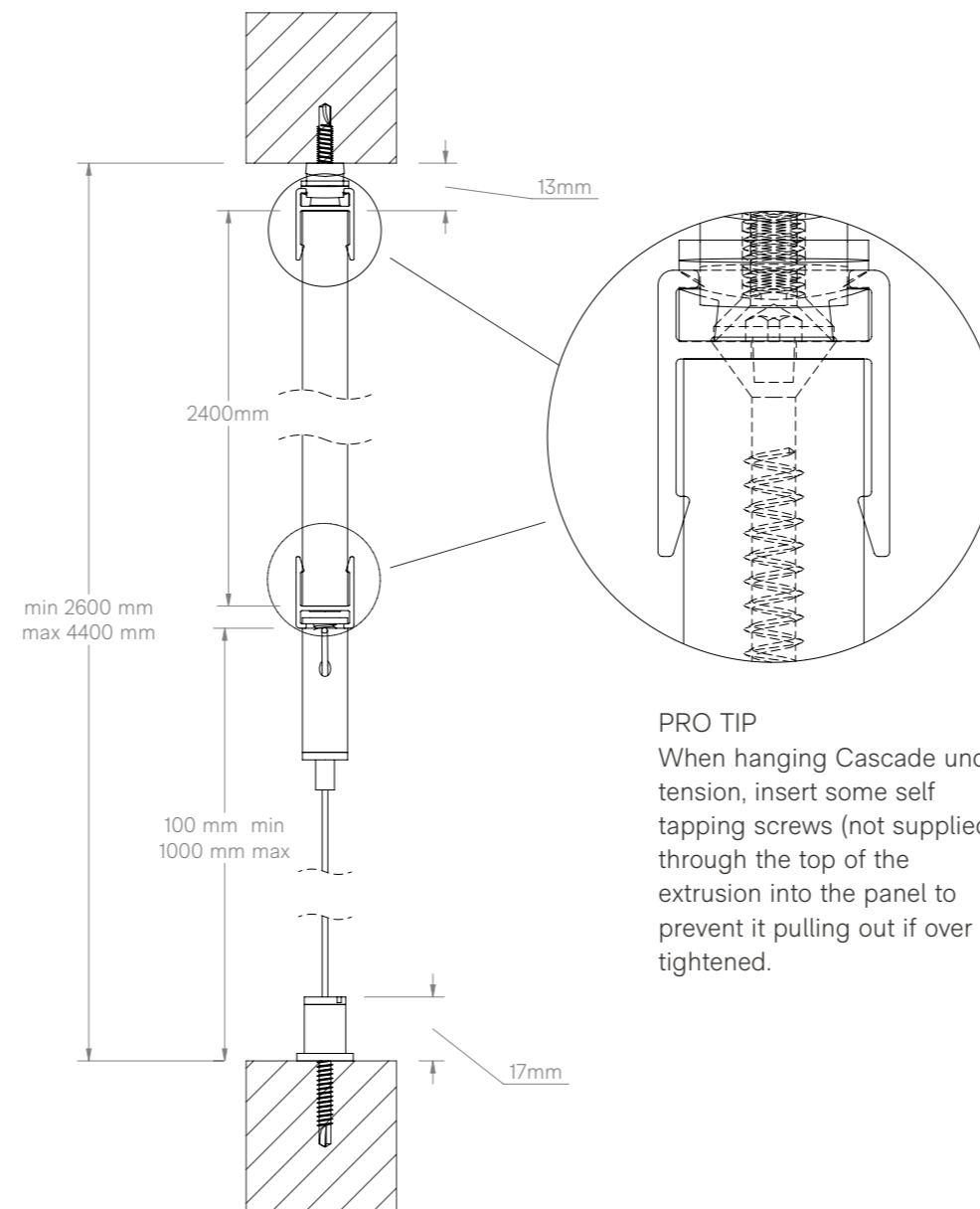


RAHVAS
Autex Adjustable
Suspension Set 1000 mm cable
Channel Connection

EXPLODED VIEW

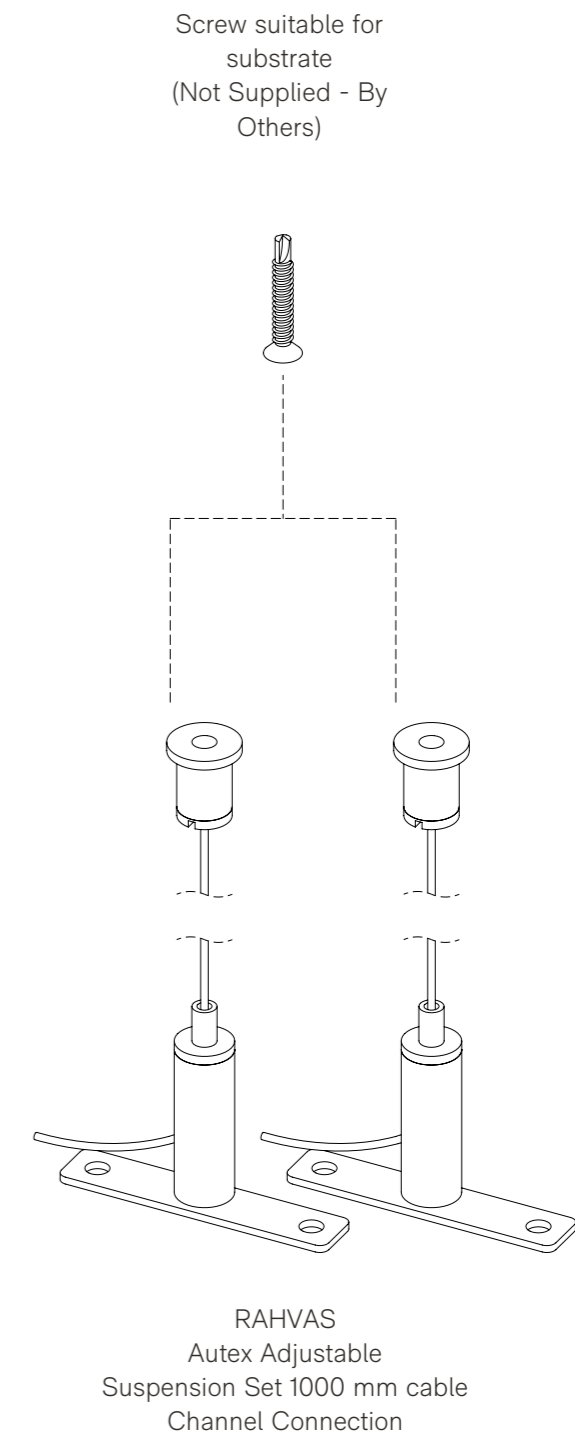


CROSS SECTION

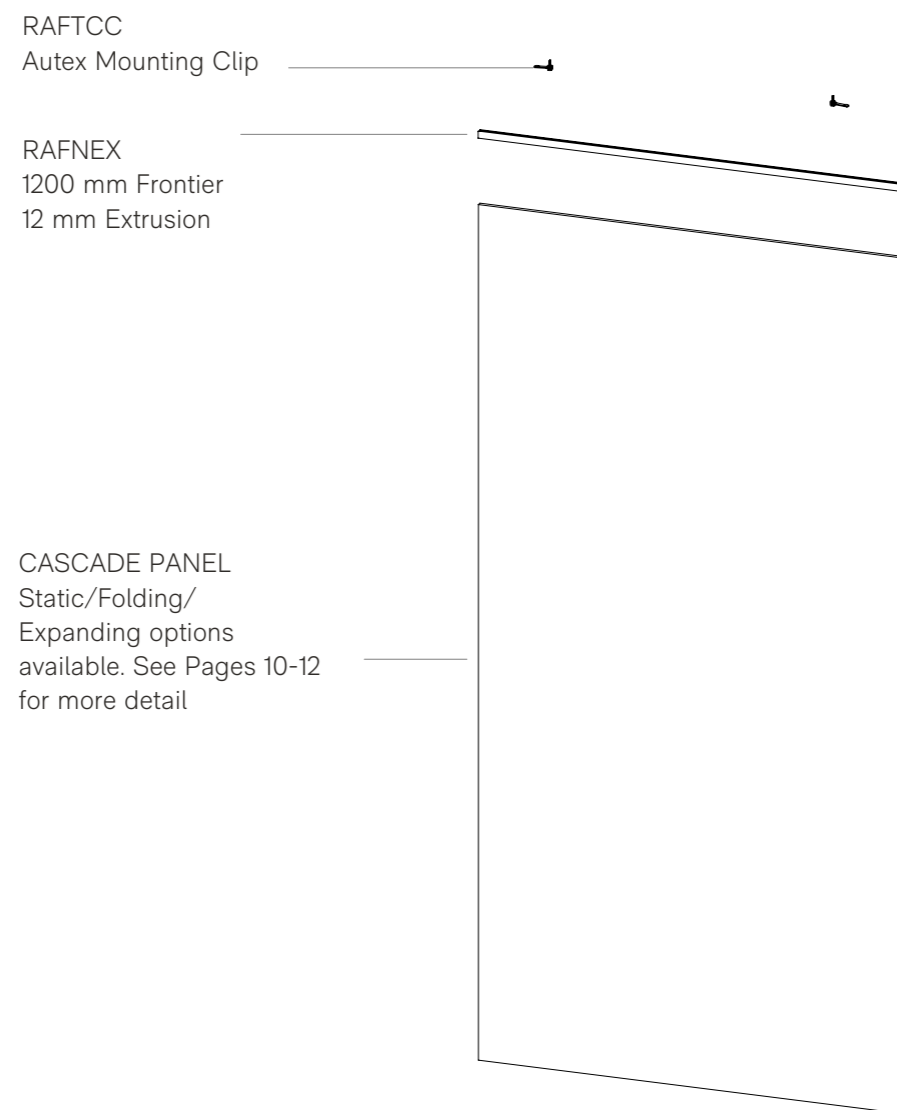


PRO TIP
When hanging Cascade under tension, insert some self tapping screws (not supplied) through the top of the extrusion into the panel to prevent it pulling out if over tightened.

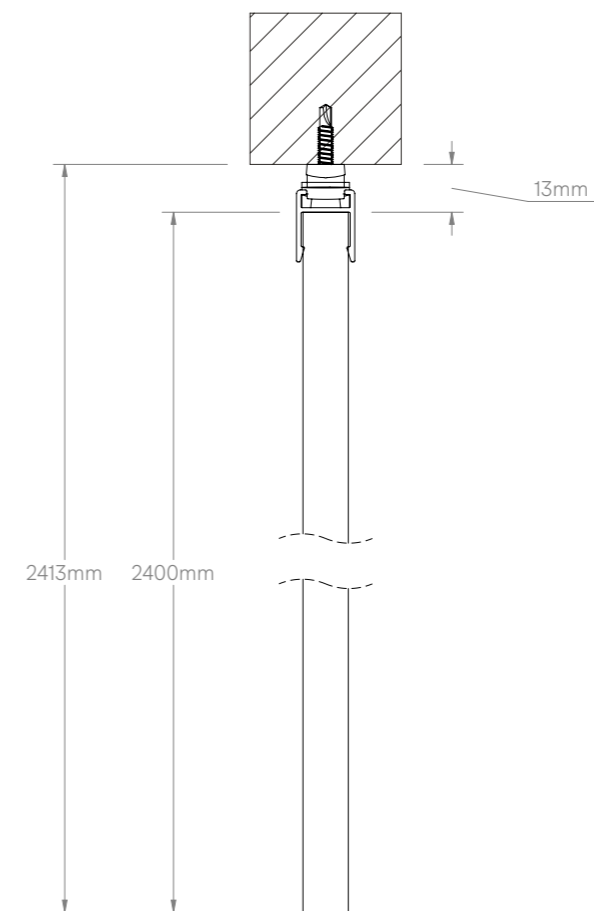
**SUSPENSION OPTIONS
(for bottom edge)**



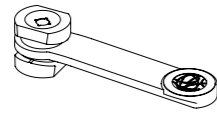
EXPLODED VIEW



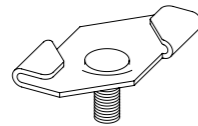
CROSS SECTION



US Patent 10,113,312 | AU Patent 2016250499 | GB Patent 2,545,789 | NZ Patent app 725770

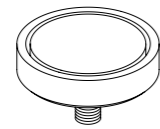


RAFTCC
Autex Mounting Clip

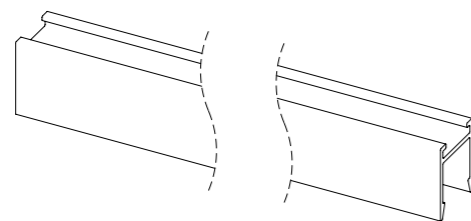


RAFM6GC
24 mm Ceiling Grid Connector with
M6 Thread.

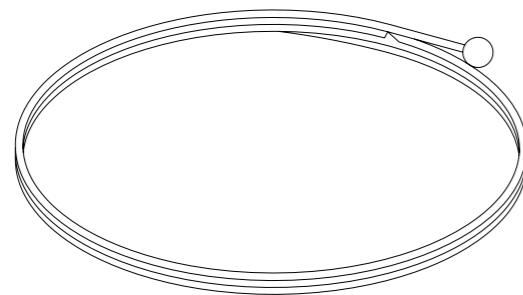
(NOTE: Grid may require re-
inforcement to carry weight of
screen.)



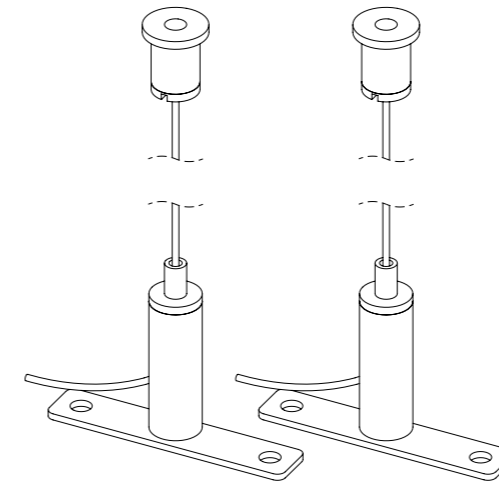
RAFM6MP
Magnet Pot with M6 Thread and Cable
Adaptor.



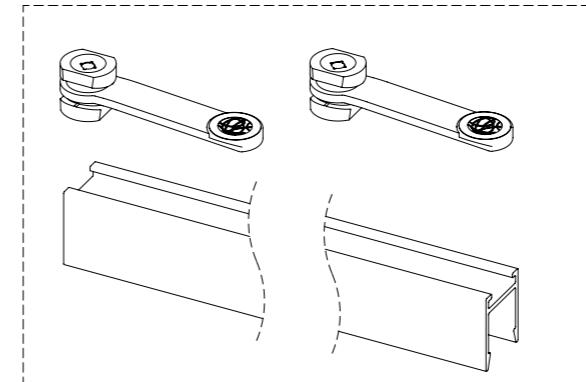
RAFNEXPC1212
Autex 12 mm Extrusion 1200 mm
length.
Powder Coated Finish - Matt
Charcoal



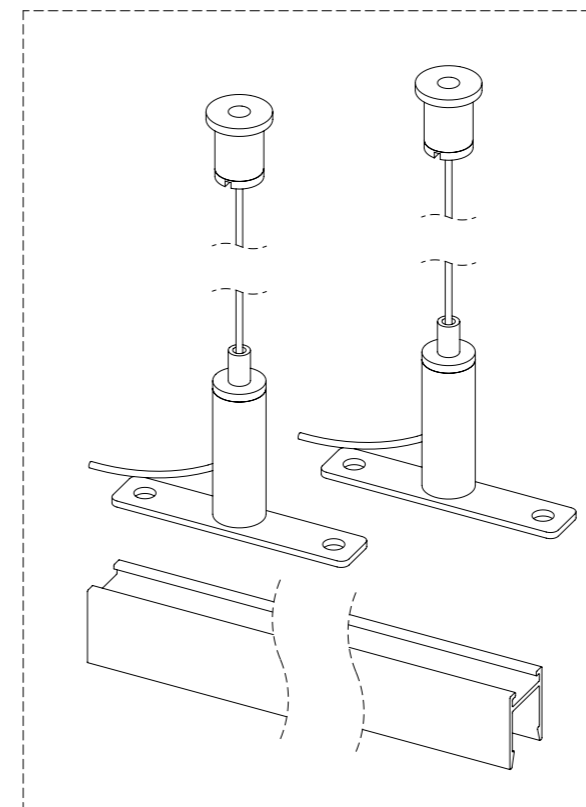
RAH3MBE
3 m Steel Cable with
Ball End



RAHVAS
Autex Adjustable
Suspension Set 1000 mm
cable - Channel
Connection



DIRECT FIX KIT
2x RAFTCC
1x RAFNEXPC1212



SUSPENSION KIT
2x RAHVAS
1x RAFNEXPC1212