



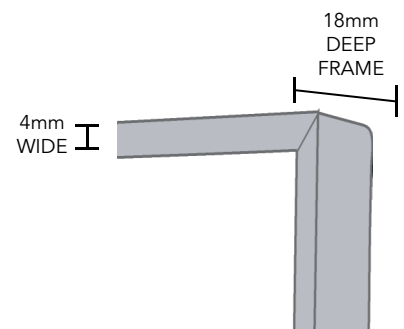
whiteboards  
and pinboards

# Slimline Frame Corkboard

The Slimline Frame Corkboard combines both stylish visuals and practicality into one amazing package. Corkboards are an environmentally conscious product due to their recycled material construction and low emission manufacturing process. Our slimline frames not only offer a modern aesthetic to our boards, but they also give our boards extended durability due to their strong aluminium structure. Whether you are looking for somewhere to display work notices, or wanting to keep on top of your important ideas or events, the Slimline Frame Corkboard is the ideal solution for you!

## FEATURES

- Environmentally-friendly cork surface
- Super slim aluminium frame
- Easy installation
- Non-toxic
- Made from renewable material
- Custom sizing available
- 12 month warranty



## DIMENSIONS

900 x 600 | 900 x 900 | 1200 x 900 | 1200 x 1190 | 1500 x 900 | 1500 x 1190 | 1800 x 900  
1800 x 1190 | 2100 x 1190 | 2400 x 1190

For Orders Please Contact  
PHONE : 1300 849 152

EMAIL: [sales@whiteboardsandpinboards.com.au](mailto:sales@whiteboardsandpinboards.com.au)