

# RM7501K 4K UHD 75" | Education Interactive Flat Panel



## Features

### Ultra-Smooth Handwriting Enhances Collaborative Learning

RM7501K offers precise positioning to guarantee a streamlined and ultra-smooth handwriting experience that can effectively enhance class interaction and student participation.

- **Dual Pens for Simultaneous Collaboration with Two Different Colors**

RM7501K comes with dual pens that allow two users to write or draw with different colors simultaneously, making it ideal for lively classroom activities. Additionally, teachers can now create a more engaging learning experience by using two pens to write and highlight with two different colors, eliminating the need to change colors in a traditional classroom scenario.

- **Flexible Display of Brush Mode for Creative Education**

The advanced touchscreen (IR touch) technology equips RM7501K with the capability of naturally displaying different stroke thickness based on different types of tools used to write or draw on the screen, offering educators and students a more natural writing experience. RM7501K is capable of detecting strokes created with fingers, the IFP stylus, watercolor brush or even pencil. This unique feature makes RM7501K ideal for drawing or artistic creation in art classes.

### Create a Riskless Visual Experience in Class: Eye-Care Solution

- **TÜV-certified Flicker-Free Technology** removes LED backlight flickering and brings a zero flickering viewing experience.
- **TÜV-certified Low Blue Light Technology** minimizes blue light exposure to reduce eye strain and prevent more critical eye conditions such as macular degeneration or disrupted melatonin secretion.
- **Anti-Glare Display** reduces reflection for more legible text and clearer images.

### Foster Active Learning & Collaborative Interaction: EZWrite 4.1 Lite

EZWrite 4.1 Lite, pre-installed exclusively on BenQ's IFPs, is the ultimate annotation app designed to facilitate interactive learning with a tap. It offers multiple features, including MS office compatibility, hand writing recognition, collaboration tools and sharing through e-mails, QR code, print and USB drive.

### Facilitate Teaching Flow with Friendly Design

- **Freeze and Blank**

**Blank** to darken the screen so students can remain focused on teachers' instructions.

**Freeze** to pause the screen so teachers can capture certain segments from videos or highlight on the screen (through the remote control or hotkey)

- **Floating Tool**

EZWrite 4.1's floating toolbar is compatible with any input source and Android applications. The floating on-screen menu lets you immediately access a range of functions, including print screen, screen capture, eraser, pen and whiteboard by placing two fingers on the screen. It helps increase learning efficiency in the classroom.

- **Front-facing Speakers and External Microphone Compatibility**

RM7501K repositions the 20W audio speakers to the front, offering better sound transmission that elevates the level of audiovisual enjoyment during classes. Additionally, RM7501K comes with a Mic-In port that allows teachers to connect external microphones, further facilitating an impactful and effective learning experience for students.

- **InstaQShare Wireless Solution**

InstaQShare is the software designed for seamless wireless interaction and collaboration in classrooms. It allows the smooth streaming of a wide range of visual and audio files, as well as Full HD quality videos. Users can also mirror content from mobile devices, and invite up to 16 participants for seamless collaboration.

### Hassle-Free Maintenance

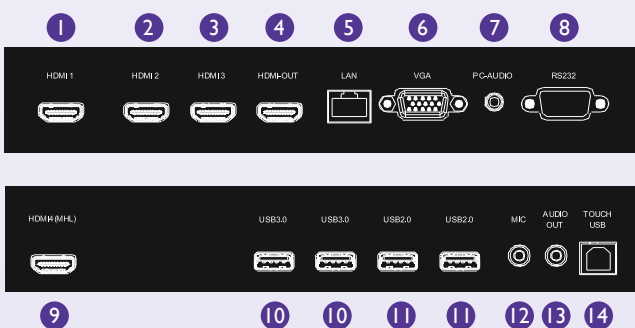
- **MDA Software**

Multiple Display Administrator (MDA) creates hassle-free maintenance for IT personnel to remotely control the general display settings of IFPs and schedule their on/off times.

- **Over-the-Air Update (OTA)**

Upgrade your displays with the latest BenQ firmware via BenQ's OTA update support to keep them running smoothly at all times.

## Input and Output Terminals

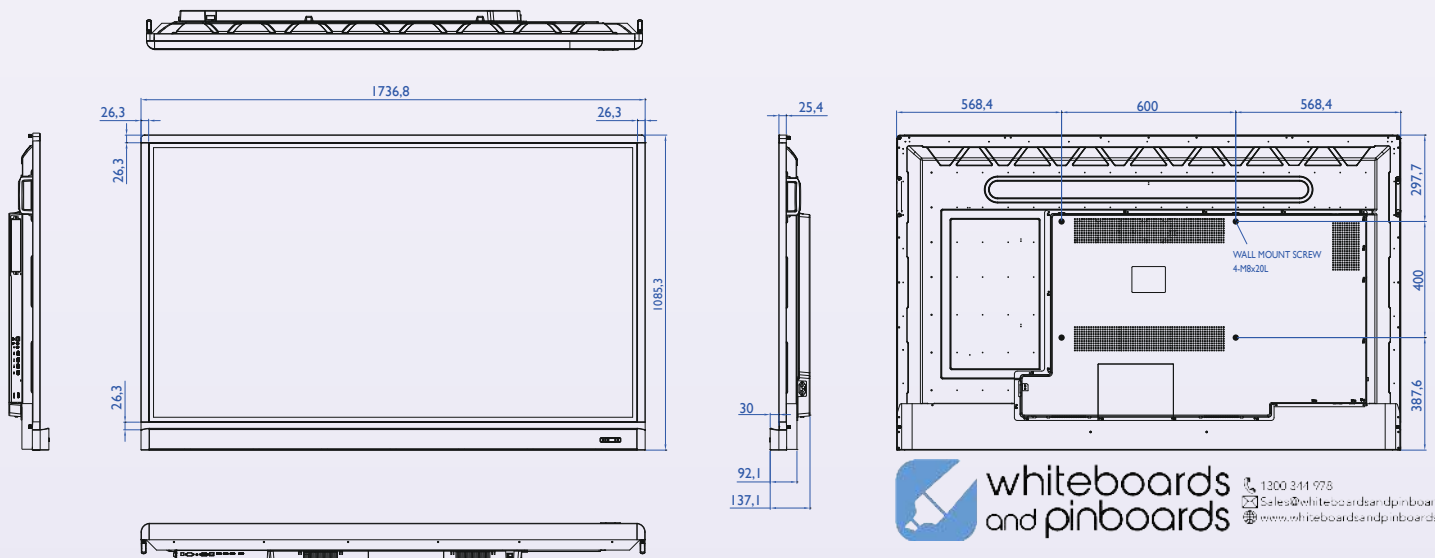


- |                      |                           |
|----------------------|---------------------------|
| 1 HDMI Input 1 (2.0) | 9 HDMI Input 4 (MHL)(2.0) |
| 2 HDMI Input 2 (2.0) | 10 USB 3.0                |
| 3 HDMI Input 3 (2.0) | 11 USB 2.0                |
| 4 HDMI Output        | 12 Microphone             |
| 5 LAN                | 13 Audio output           |
| 6 VGA Input          | 14 Touch USB port         |
| 7 Audio Input        |                           |
| 8 RS232 Input        |                           |

# Specifications

		RM7501K
panel	Screen Size	75"
	Backlight / Lightsource	DLED
	Resolution (Pixels)	UHD 3840x2160 pixels
	Brightness (Typical)	350
	Contrast Ratio (Typical)	1,200:1
	Dynamic Contrast Ratio (Typical)	30,000:1
	Viewing Angle (Horizontal/Vertical)	178° /178°
	Response Time (ms)	8ms
	Color Gamut (x% NTSC)	65%
	Panel Bit (8 or 10)	10 bit
Glass	Light Life (Typical)	30,000 hours
	Display Orientation	Landscape
Touch	Tempered Glass	4mm, Tempered Glass
	Anti-Glare (AG) Coating	Yes
Touch	Touch Technology	IR Touch
	Numbers of Touch	Up to 10 Point Multi-touch
	Resolution (Points Area Function)	32,767*32,767
Audio	Touch Interface	x1 (USB type B)
	OS Supported	Windows XP/Vista/7/8/10/Linux/Mac/Android/Chrome
	Internal Speaker	20Wx2
	Line Out (Audio Out, 3.5mm)	x1
Connectivity	Line In (3.5mm)	x1
	MIC (3.5mm)	x1
	<b>AC Power</b>	
	Power (AC) Input	x1
	Power Switch	x1
	<b>Basic IO</b>	
	VGA Input	x1
	HDMI Input	2.0x4 (MHLx1)
	HDMI Output	x1
	OPS Slot	x1
Control	<b>Legacy IO</b>	
	USB Player (Photo, Video)	x4 (2.0x2, 3.0x2)
	RS232 Input	x1
power	RJ45 Port	x1
	Firmware Update	USB/OTA
Mechanical	Voltage	100V-240V, 50/60Hz
	Typical (Watt)	310
	Weight (Without / With Packing) (kg)	60.8kg±1.5Kg/72kg±1.5Kg
	Dimension (WxHxD) (mm)	1736.8*1085.3*137.1mm
OSD	Wall Mounting (VESA) (mm)	4 holes (600 x 400mm) Screw M8 x 20mm
	Handle	x2
Package / Accessory	Pen Tray	x1
	On-Screen Display Languages	English / French / German / Dutch / Polish / Russian / Czech / Danish / Swedish / Italian / Romanian / Finnish / Norwegian / Greek / Hungarian / Spanish / Portuguese / Traditional Chinese / Simplified Chinese / Arabic / Japanese / Thai / Persian / Vietnamese (24L)
	Remote Controller	x1
	Power Cord (By Region)	x5 (1.8m), x1 (1.5m)
	VGA Cable	x 1 (1.5m)
	HDMI Cable	x 1 (1.5m)
	Quick Start Guide	x1
	User's Manual Electronic File	x1
	USB Cable for Touch	x 1 (3m)
	Touch Pen (Stylus)	x2
Software License Card	x1	
Optional	Wall Mount	Yes
	QCast HDMI Streaming Dongle	Yes
	USB Wifi Dongle	Yes
	Trolley	Yes

# Dimensions




 1300 314 975  
 Sales@whiteboardsandpinboards.com.au  
 www.whiteboardsandpinboards.com.au

Dealer's Stamp