

RM8601K 4K UHD 86" | Education Interactive Flat Panel



Features

Ultra-Smooth Handwriting Enhances Collaborative Learning

RM8601K offers precise positioning to guarantee a streamlined and ultra-smooth handwriting experience that can effectively enhance class interaction and student participation.

- **Dual Pens for Simultaneous Collaboration with Two Different Colors**

RM8601K comes with dual pens that allow two users to write or draw with different colors simultaneously, making it ideal for lively classroom activities. Additionally, teachers can now create a more engaging learning experience by using two pens to write and highlight with two different colors, eliminating the need to change colors in a traditional classroom scenario.

- **Flexible Display of Brush Mode for Creative Education**

The advanced touchscreen (IR touch) technology equips RM8601K with the capability of naturally displaying different stroke thickness based on different types of tools used to write or draw on the screen, offering educators and students a more natural writing experience. RM8601K is capable of detecting strokes created with fingers, the IFP stylus, watercolor brush or even pencil. This unique feature makes RM8601K ideal for drawing or artistic creation in art classes.

Create a Riskless Visual Experience in Class: Eye-Care Solution

- **TÜV-certified Flicker-Free Technology** removes LED backlight flickering and brings a zero flickering viewing experience.
- **TÜV-certified Low Blue Light Technology** minimizes blue light exposure to reduce eye strain and prevent more critical eye conditions such as macular degeneration or disrupted melatonin secretion.
- **Anti-Glare Display** reduces reflection for more legible text and clearer images.

Foster Active Learning & Collaborative Interaction: EZWrite 4.1 Lite

EZWrite 4.1 Lite, pre-installed exclusively on BenQ's IFPs, is the ultimate annotation app designed to facilitate interactive learning with a tap. It offers multiple features, including MS office compatibility, hand writing recognition, collaboration tools and sharing through e-mails, QR code, print and USB drive.

Facilitate Teaching Flow with Friendly Design

- **Freeze and Blank**

Blank to darken the screen so students can remain focused on teachers' instructions.

Freeze to pause the screen so teachers can capture certain segments from videos or highlight on the screen (through the remote control or hotkey)

- **Floating Tool**

EZWrite 4.1's floating toolbar is compatible with any input source and Android applications. The floating on-screen menu lets you immediately access a range of functions, including print screen, screen capture, eraser, pen and whiteboard by placing two fingers on the screen. It helps increase learning efficiency in the classroom.

- **Front-facing Speakers and External Microphone Compatibility**

RM7501K repositions the 20W audio speakers to the front, offering better sound transmission that elevates the level of audiovisual enjoyment during classes. Additionally, RM7501K comes with a Mic-In port that allows teachers to connect external microphones, further facilitating an impactful and effective learning experience for students.

- **InstaQShare Wireless Solution**

InstaQShare is the software designed for seamless wireless interaction and collaboration in classrooms. It allows the smooth streaming of a wide range of visual and audio files, as well as Full HD quality videos. Users can also mirror content from mobile devices, and invite up to 16 participants for seamless collaboration.

Hassle-Free Maintenance

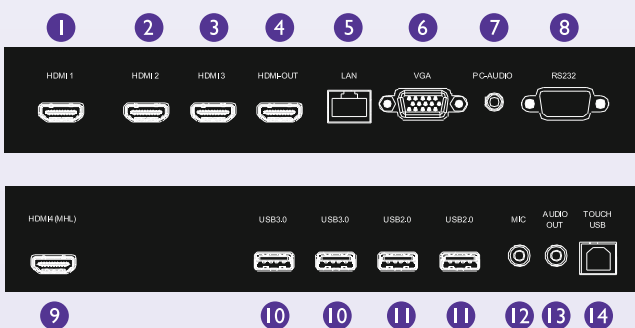
- **MDA Software**

Multiple Display Administrator (MDA) creates hassle-free maintenance for IT personnel to remotely control the general display settings of IFPs and schedule their on/off times.

- **Over-the-Air Update (OTA)**

Upgrade your displays with the latest BenQ firmware via BenQ's OTA update support to keep them running smoothly at all times.

Input and Output Terminals

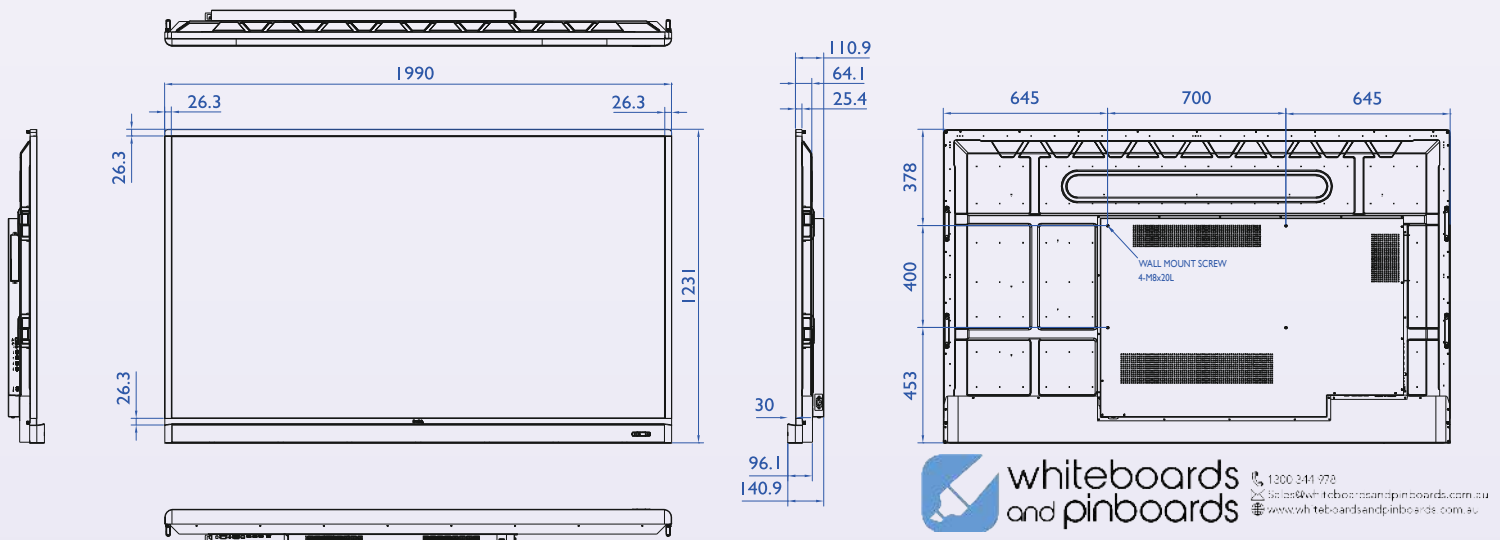


- | | |
|----------------------|---------------------------|
| 1 HDMI Input 1 (2,0) | 9 HDMI Input 4 (MHL)(2,0) |
| 2 HDMI Input 2 (2,0) | 10 USB 3.0 |
| 3 HDMI Input 3 (2,0) | 11 USB 2.0 |
| 4 HDMI Output | 12 Microphone |
| 5 LAN | 13 Audio output |
| 6 VGA Input | 14 Touch USB port |
| 7 Audio Input | |
| 8 RS232 Input | |

Specifications

| | | RM8601K |
|---------------------------|--------------------------------------|--|
| panel | Screen Size | 86" |
| | Backlight / Lightsource | DLED |
| | Resolution (Pixels) | UHD 3840x2160 pixels |
| | Brightness (Typical) | 400 |
| | Contrast Ratio (Typical) | 1,200:1 |
| | Dynamic Contrast Ratio (Typical) | 30,000:1 |
| | Viewing Angle (Horizontal/Vertical) | 178° / 178° |
| | Response Time (ms) | 8ms |
| | Color Gamut (x% NTSC) | 65% |
| | Panel Bit (8 or 10) | 10 bit |
| Glass | Light Life (Typical) | 30,000 hours |
| | Display Orientation | Landscape |
| Touch | Tempered Glass | 4mm, Tempered Glass |
| | Anti-Glare (AG) Coating | Yes |
| Touch | Touch Technology | IR Touch |
| | Numbers of Touch | Up to 10 Point Multi-touch |
| | Resolution (Points Area Function) | 32,767*32,767 |
| Audio | Touch Interface | x1 (USB type B) |
| | OS Supported | Windows XP/Vista/7/8/10/Linux/Mac/Android/Chrome |
| | Internal Speaker | 20Wx2 |
| | Line Out (Audio Out, 3.5mm) | x1 |
| | Line In (3.5mm) | x1 |
| Connectivity | MIC (3.5mm) | x1 |
| | AC Power | |
| | Power (AC) Input | x1 |
| | Power Switch | x1 |
| | Basic IO | |
| | VGA Input | x1 |
| | HDMI Input | 2.0x4 (MHLx1) |
| | HDMI Output | x1 |
| | OPS Slot | x1 |
| | Legacy IO | |
| USB Player (Photo, Video) | x4 (2.0x2, 3.0x2) | |
| Control | RS232 Input | x1 |
| | RJ45 Port | x1 |
| power | Firmware Update | USB/OTA |
| | Voltage | 100V-240V, 50/60Hz |
| Mechanical | Typical (Watt) | 355 |
| | Weight (Without / With Packing) (kg) | 86.2kg ± 1.5Kg/99kg ± 1.5Kg |
| | Dimension (WxHxD) (mm) | 1990*1231*140.9mm |
| | Wall Mounting (VESA) (mm) | 4 holes (700 x 400mm) Screw M8 x 20mm |
| OSD | Handle | x4 |
| | Pen Tray | x1 |
| Package / Accessory | On-Screen Display Languages | English / French / German / Dutch / Polish / Russian / Czech / Danish / Swedish / Italian / Romanian / Finnish / Norwegian / Greek / Hungarian / Spanish / Portuguese / Traditional Chinese / Simplified Chinese / Arabic / Japanese / Thai / Persian / Vietnamese (24L) |
| | Remote Controller | x1 |
| | Power Cord (By Region) | x5 (1.8m), x1 (1.5m) |
| | VGA Cable | x 1 (1.5m) |
| | HDMI Cable | x 1 (1.5m) |
| | Quick Start Guide | x1 |
| | User's Manual Electronic File | x1 |
| | USB Cable for Touch | x 1 (3m) |
| | Touch Pen (Stylus) | x2 |
| | Software License Card | x1 |
| Optional | Wall Mount | Yes |
| | QCast HDMI Streaming Dongle | Yes |
| | USB Wifi Dongle | Yes |
| | Trolley | Yes |

Dimensions



whiteboards and pinboards 1300 341 978
www.whiteboardsandpinboards.com.au

Dealer's Stamp