



Product overview

Edging Solutions are a series of exclusively designed trims to compliment the Autex Acoustics® range of acoustic solutions.

Specification

Autex Acoustics® Edging Solution Type(_), Finish(_)

All profiles are supplied in 3 m lengths.

The following types are available to suit a specific product or application.

Detail drawings can be supplied on request to suit a specific application or detail.

Contact your specification manager for additional information.

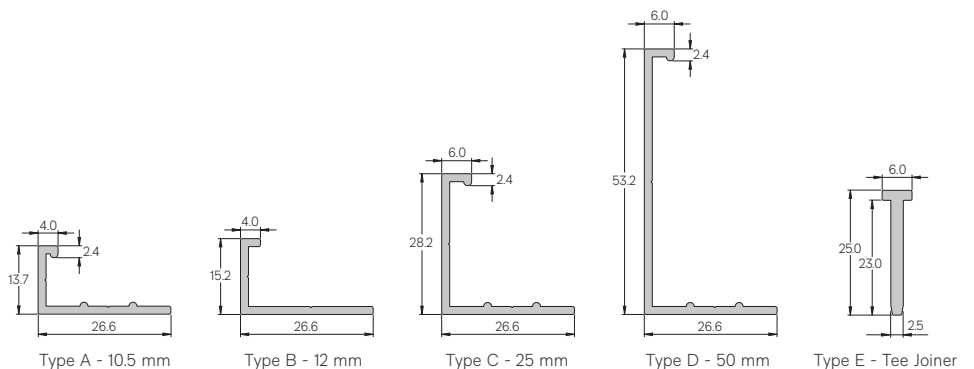
Type A: Composition®, Symphony®

Type B: 12 mm Cube™

Type C: 24 mm Cube™, 25 mm Quietspace® Panel (nude and Vertiface® overlay)

Type D: 50 mm Quietspace® Panel (nude and Vertiface® overlay)

Type E: Tee Joiner - compatible with Type C and D edging solutions



Standard finishes



Clear Anodised



Black

Other finishes can be supplied and are subject to surcharge. Please contact your specification manager for details.

On-site care

Edging Solutions can be damaged if not handled with care. Avoid bending and crushing. Store in a safe place.

General information

Edging Solutions should always be installed in accordance with the below instructions and as per the specification detail. If there is conflicting information, you must seek clarification from all appropriate parties before proceeding with the work.

It is imperative that the installation is planned before cutting and installing any product. Edging solutions are referred to as trims in this document.



General installation

Autex Acoustics recommends that you minimise the number of joins and avoid creating asymmetrical layouts. Confirm where trims are required, then measure and cut with a suitable cutting tool such as a hack saw or power mitre saw. We recommend you “measure twice and cut once”. Corners should be mitre cut. Trims are typically installed around the perimeter prior to fitting the acoustic panel. On completion of the job there should be no visible gaps between the acoustic panel and the edging trims.

Sharp edges are to be filed smooth. Touch up with paint to match finish where required.

Where Tee Joiners are used between acoustic panels, allow for a small even gap to accommodate the Tee Joiner. A waste section of extrusion can be used to achieve a consistent gap. Ideally, the gap should be 2 mm wide. Ensure no gaps are visible between profiles and panels once installed.

Cutting and installing Edging Solutions poses safety hazards if not adequately managed by the installer. Please identify site specific hazards and follow relevant local OH&S regulations and guidance. Suitable PPE such as safety goggles, hearing protection and gloves must be worn during the installation of Edging Solutions.

Method

Adhesive fix

Autex Acoustics recommends a high quality MS tape and construction adhesives. Check with the adhesives supplier for compatibility and any preparation requirements. It is the installer's responsibility to ensure that any adhesive is fit for the intended purpose. It also is the installer's responsibility to ensure that the substrate is fit for the application of adhesives. For information regarding adhesive suppliers, please contact your account manager. Contact and double-sided tapes are not recommended.

Adhesives should be applied strictly in accordance with the adhesive manufacturer's instructions. Refer to the product label or the technical datasheet for spread rates, tack-off times, application methods and equipment required.

The job should be progressively checked for appearance, installation quality and adequate adhesion. Any faults must be notified and discussed with your account manager. No claims will be accepted where the job continues with obvious faults, and no consultation with Autex Acoustics® has taken place.

Care must be taken to ensure excessive adhesive is not applied and allowed to leak out onto panel and substrate.

Adhesive spills or surface contamination should be cleaned immediately ensuring care instructions on the specific Autex Acoustics product Care and Maintenance Guide are followed.

Mechanical Fix

The head of the screw should be counter sunk. The fixings must be long enough to secure through the lining into the subframe. Plaster and cement based linings require a suitable anchor.

Fixings should be placed no more than 25 mm from any end, and no more than 400 mm apart.

Where a Tee Joiner is being used, a bead of adhesive can be applied in the gap to secure in place. Care must be taken to ensure excessive adhesive is not applied and allowed to leak out on to panel surface.

Completion

Check and ensure all profiles are fixed securely. Ensure any sharp edges are removed and remove any waste and filings. Recycle off cuts where possible.

